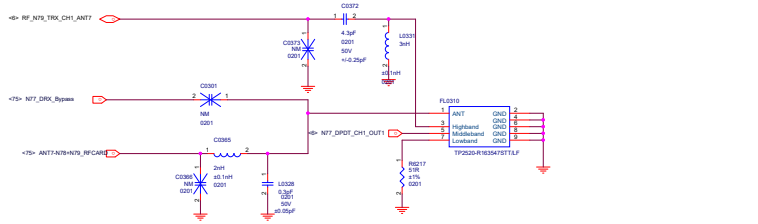
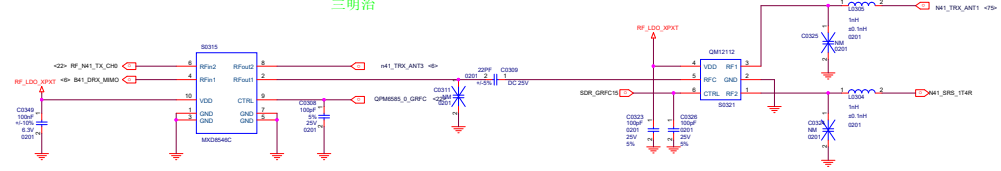


N78 N79 ANT7

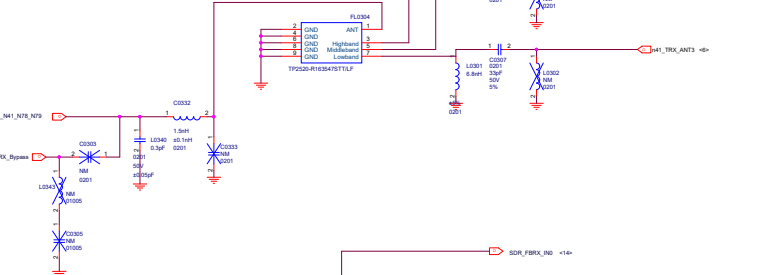


N41 DPDT1

三明治

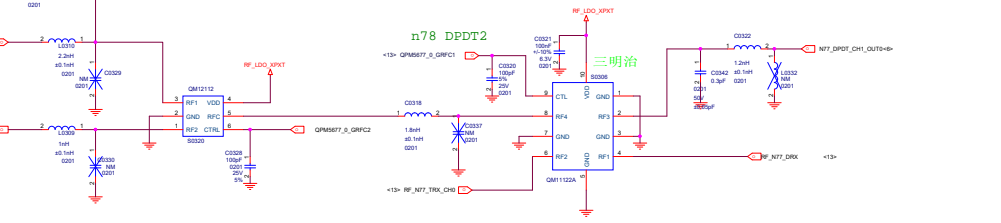


n41 TRX+n78 TRX+n79 TRX ANT3



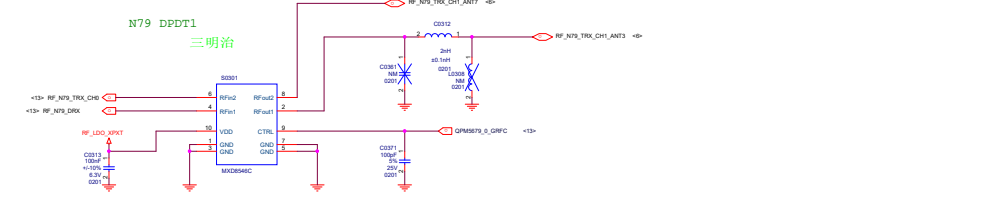
n78 DPDT2

三明治

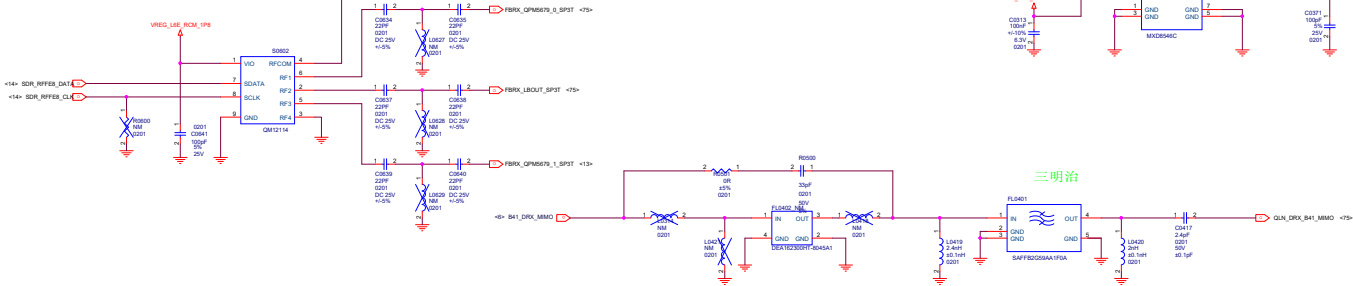


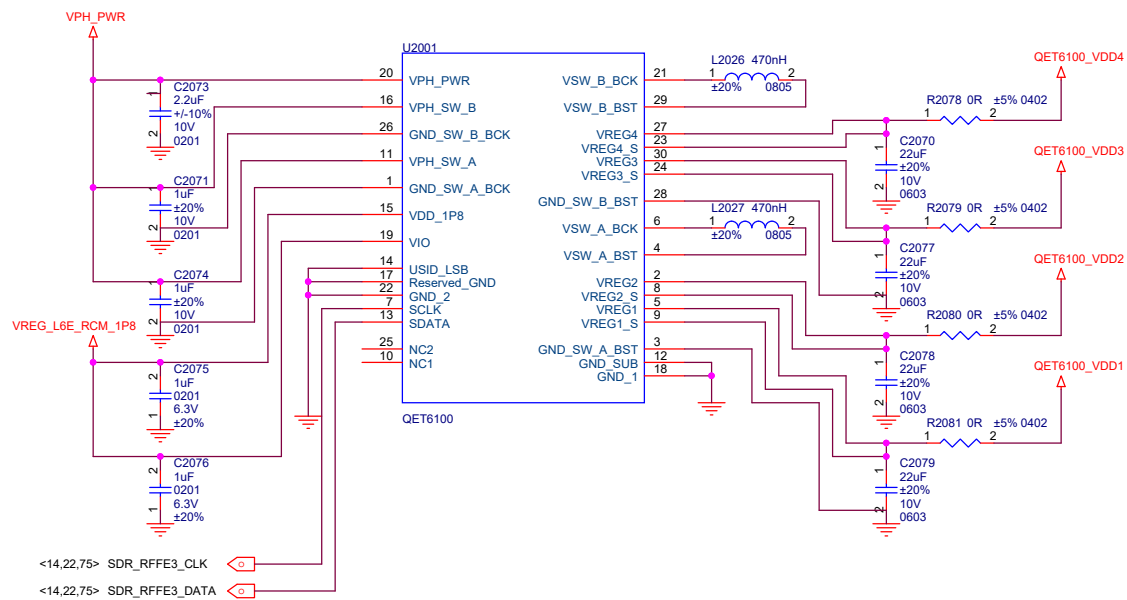
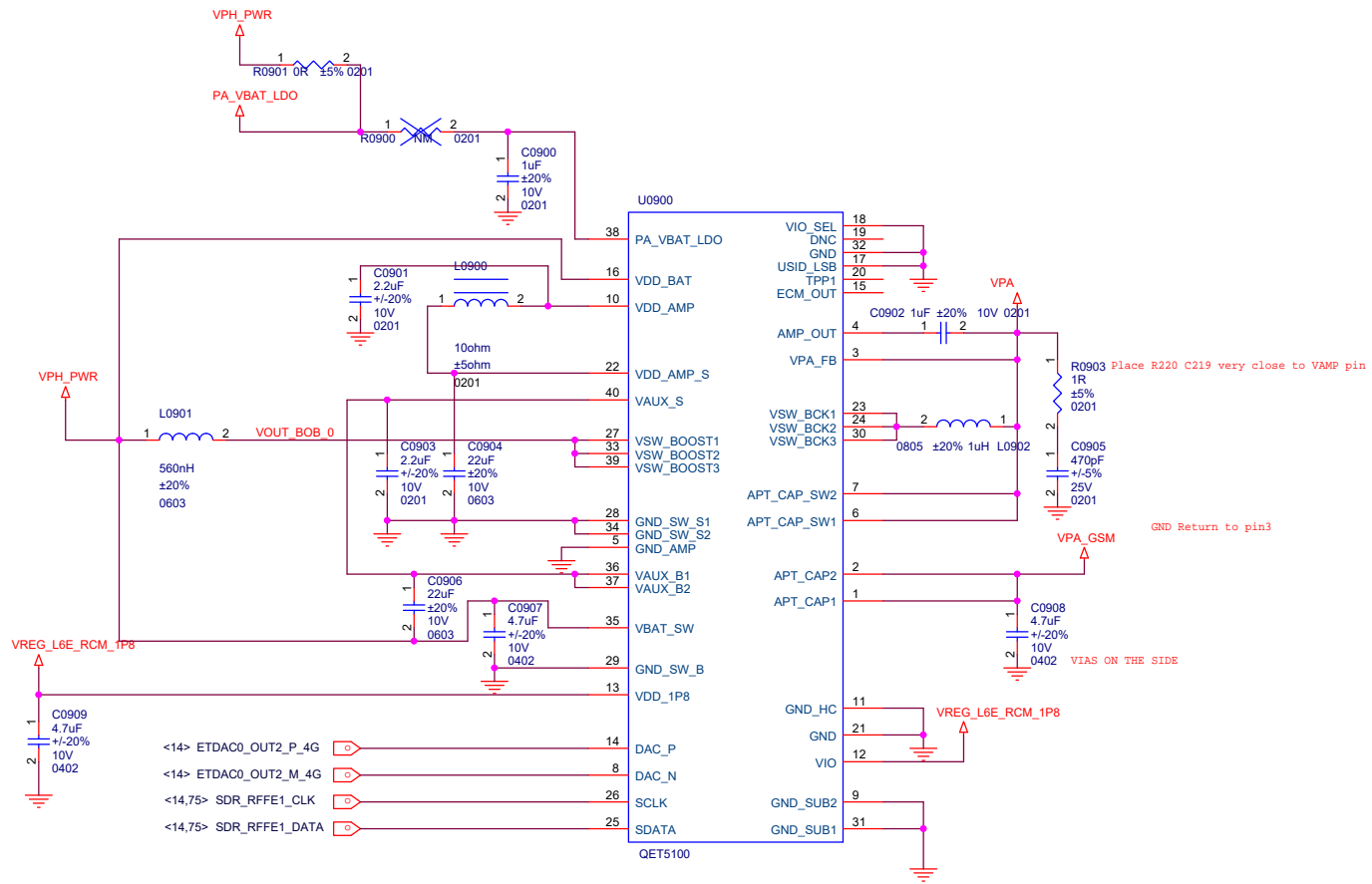
N79 DPDT1

三明治

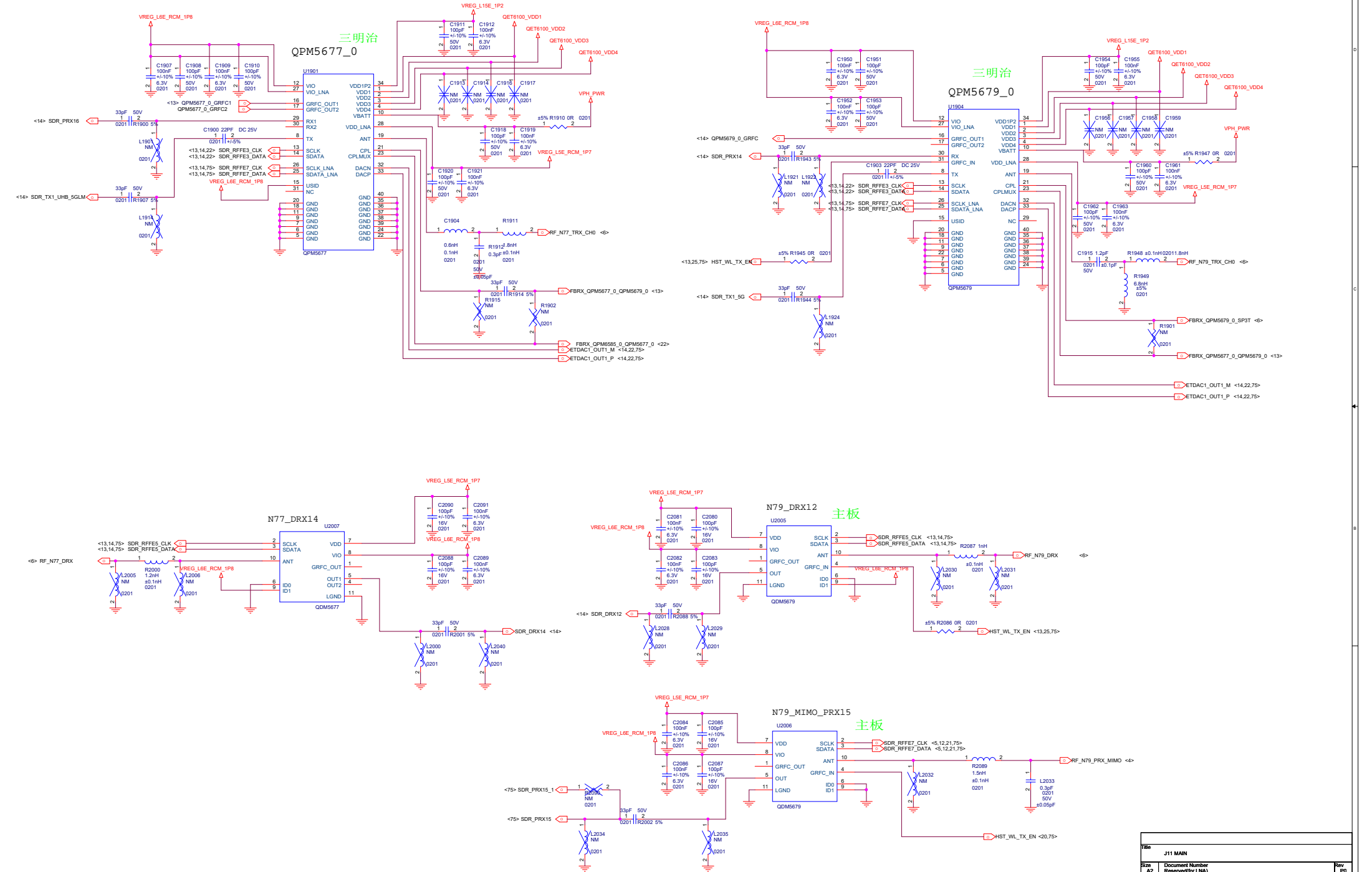


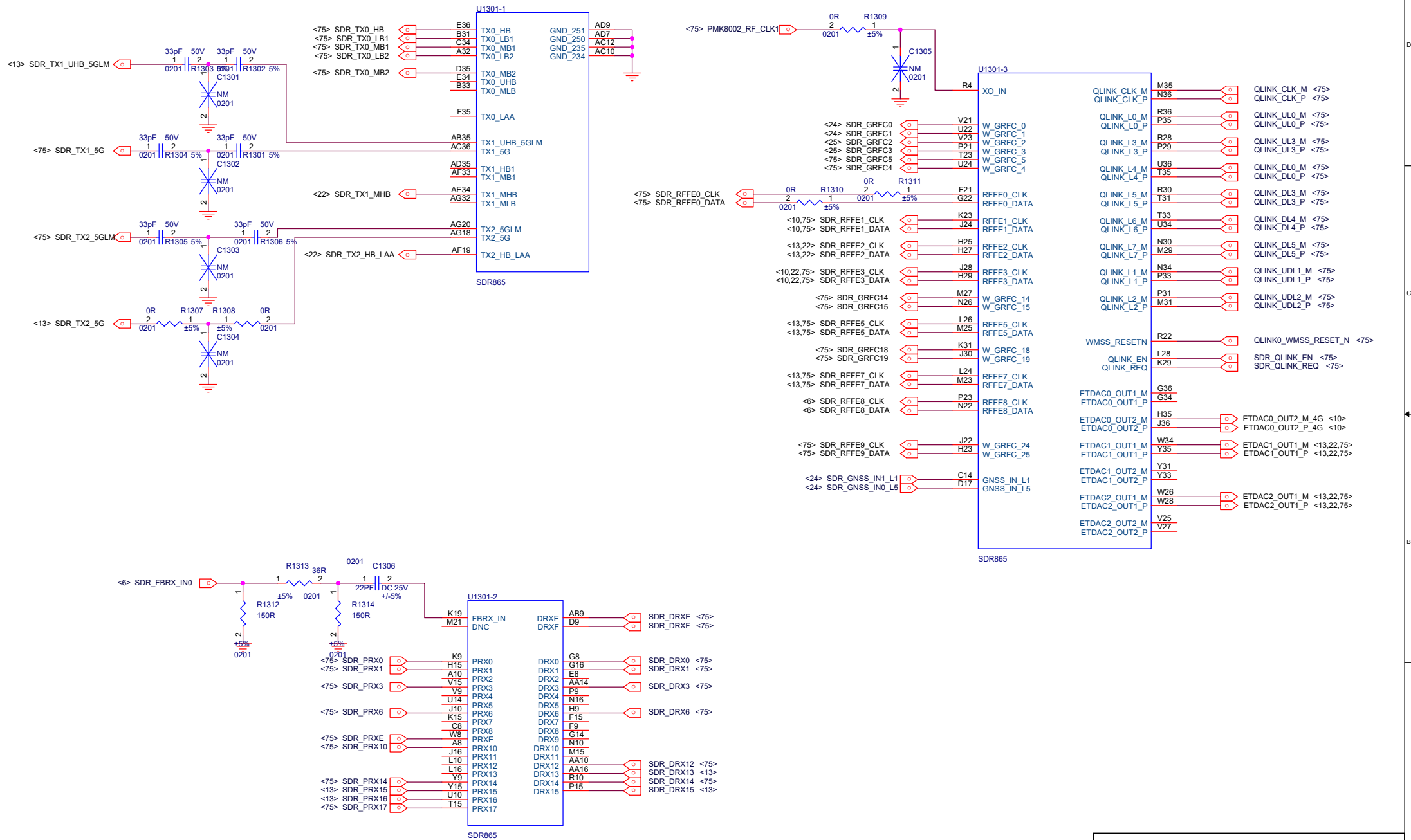
三明治



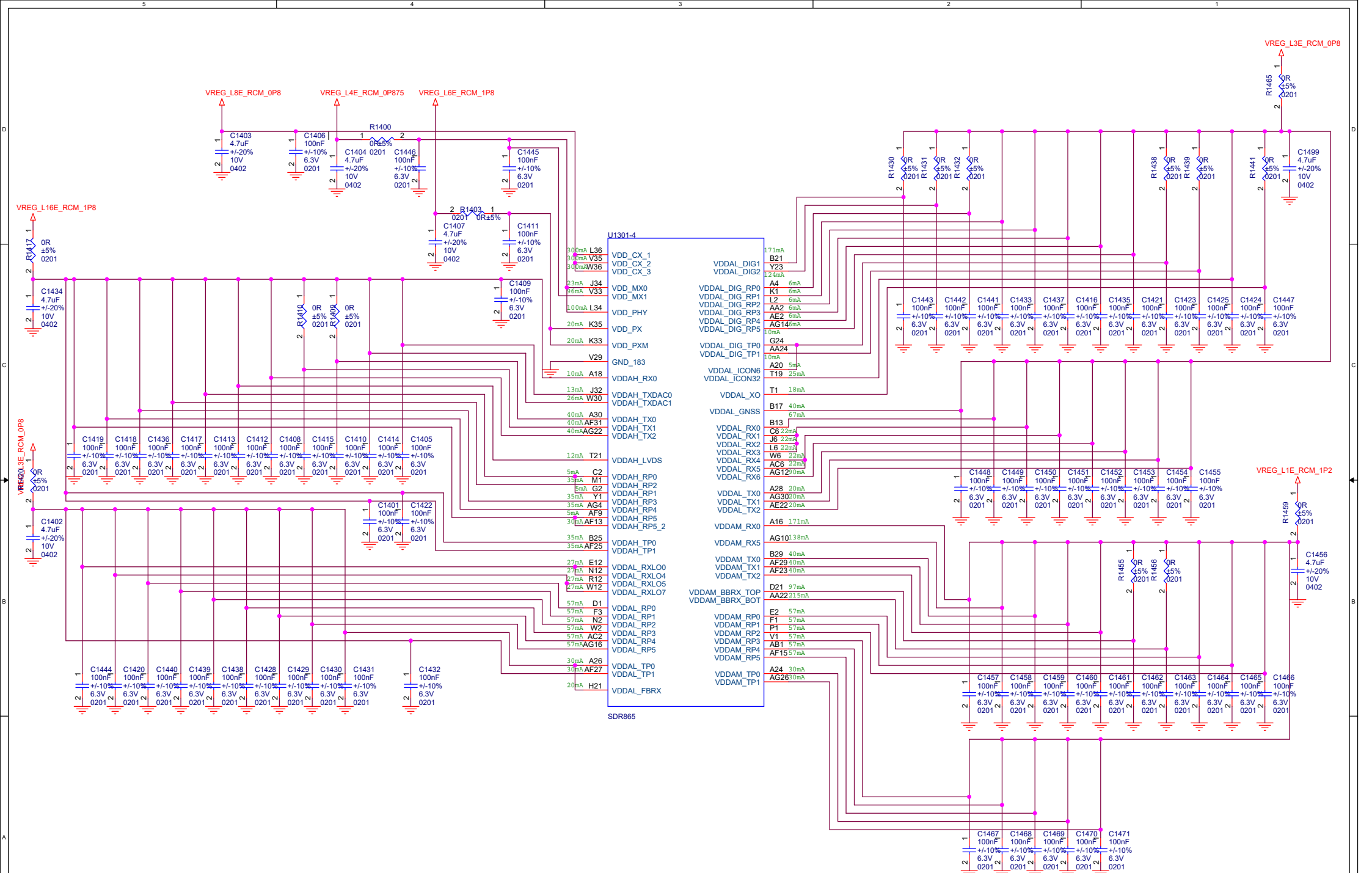


Title		J11 MAIN
Size	Document Number	RF DC-DC
A3	Rev	P0
Date:	Friday, December 27, 2019	Sheet

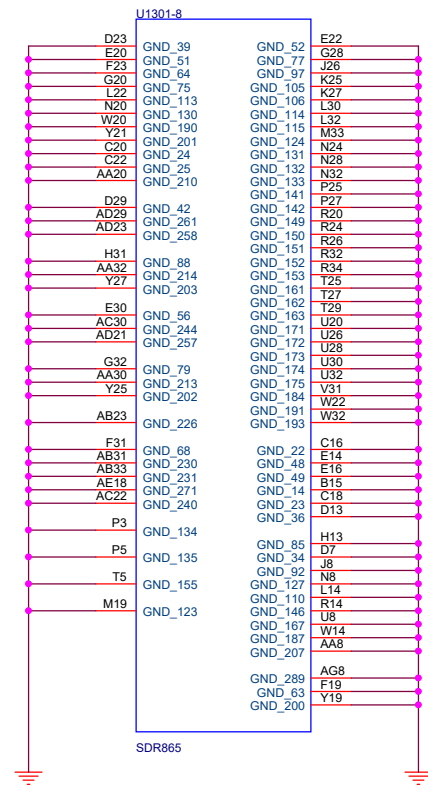
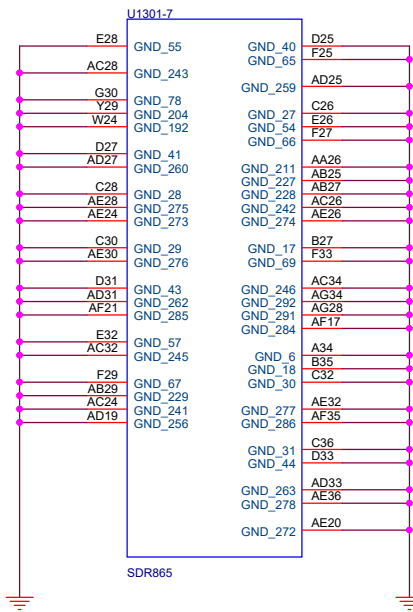
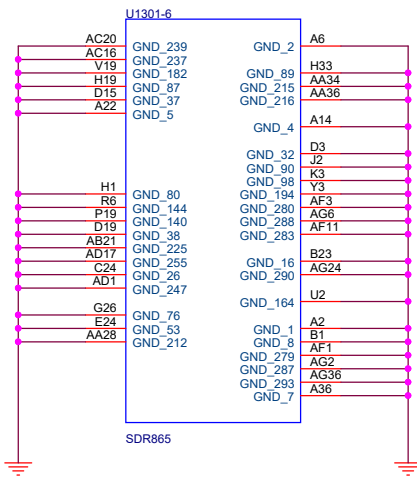
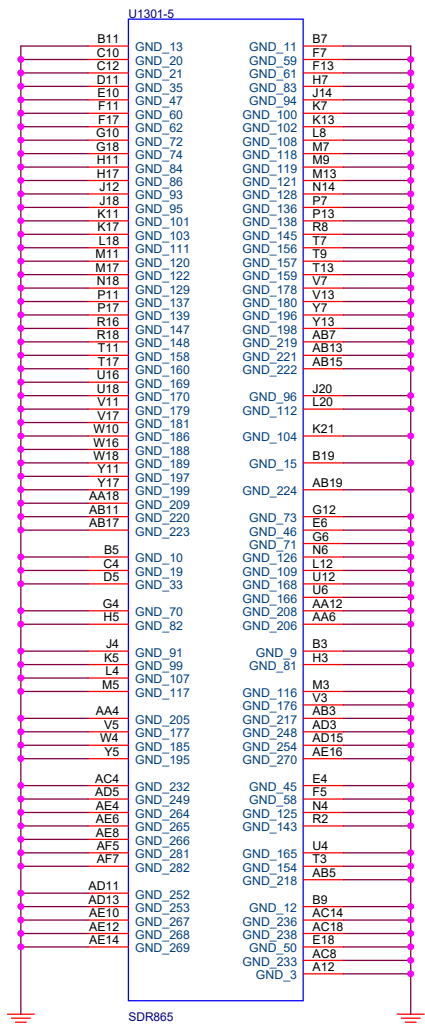




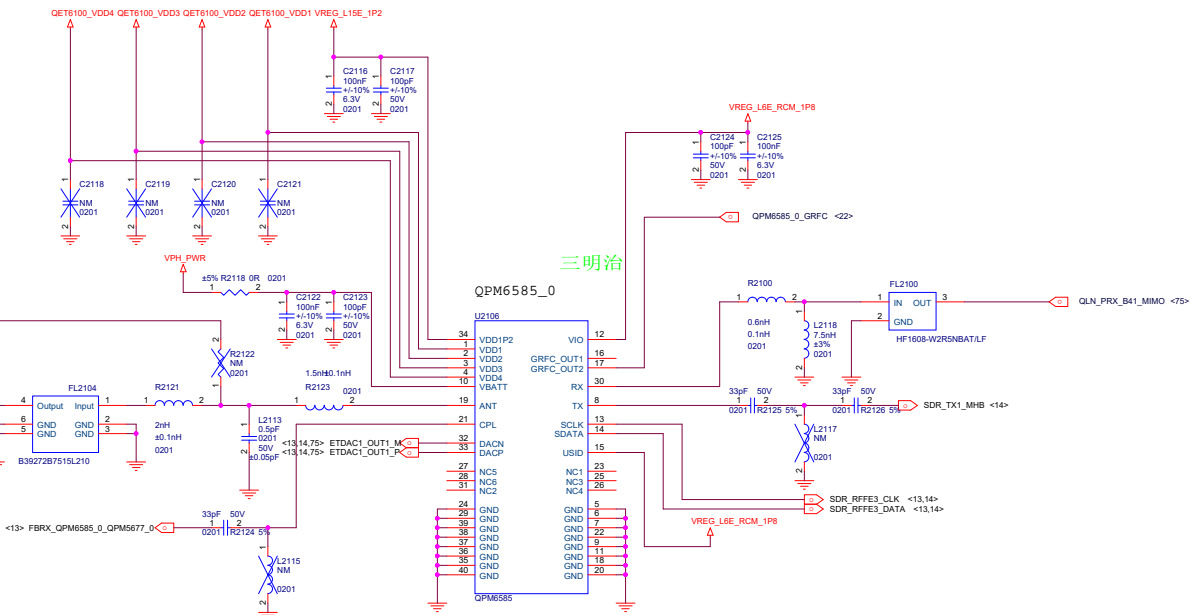
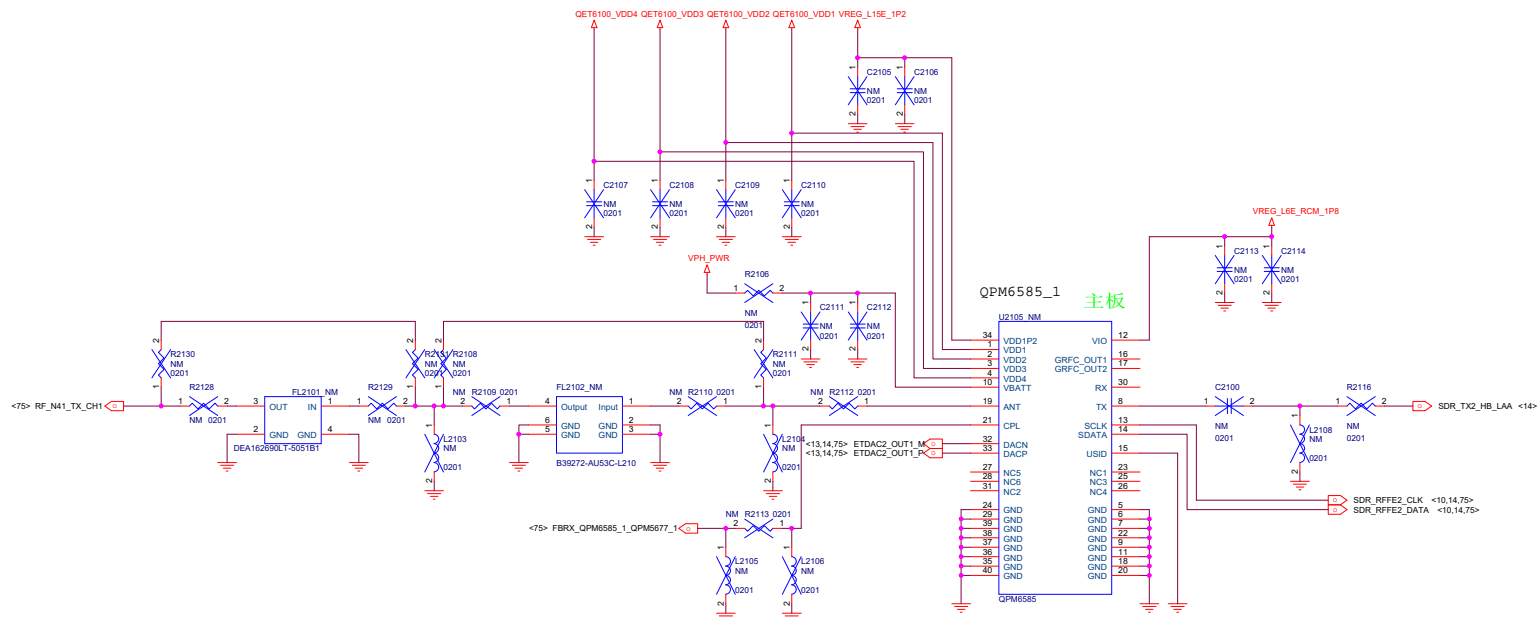
Title		
J11 MAIN		
Size	Document Number	Rev
A3	WTR Interface	P0
Date:	Friday, December 27, 2019	Sheet 14 of 74



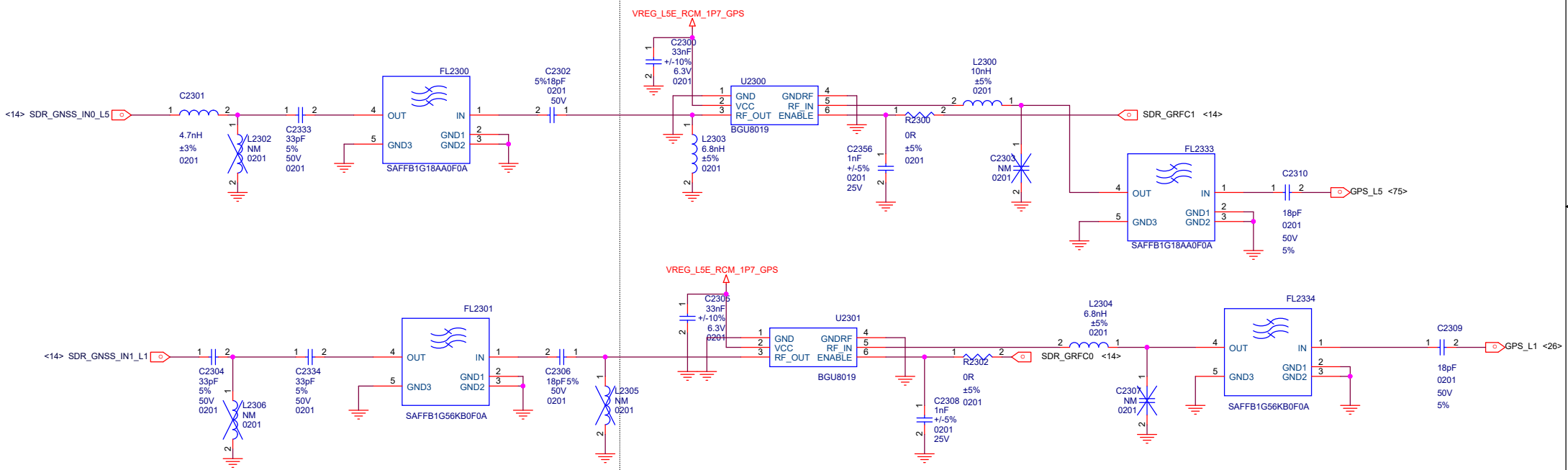
Title		F1 MAIN
Size	Document Number	Rev
A3	WTR PWR	P0
Date:	Friday, December 27, 2019	Sheet 15 of 74



Title		
J11 MAIN		
Size	Document Number	Rev
A3	Reserved(for WTR)	P0
Date:	Friday, December 27, 2019	Sheet

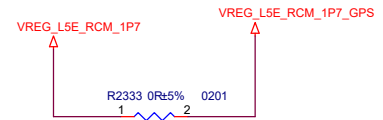


File	J11 MAIN	
Size	Document Number	Rev
A2	MFC	P0
Date:	Friday, December 27, 2019 8:58	



Close2WTR

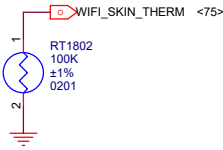
Close2WCN



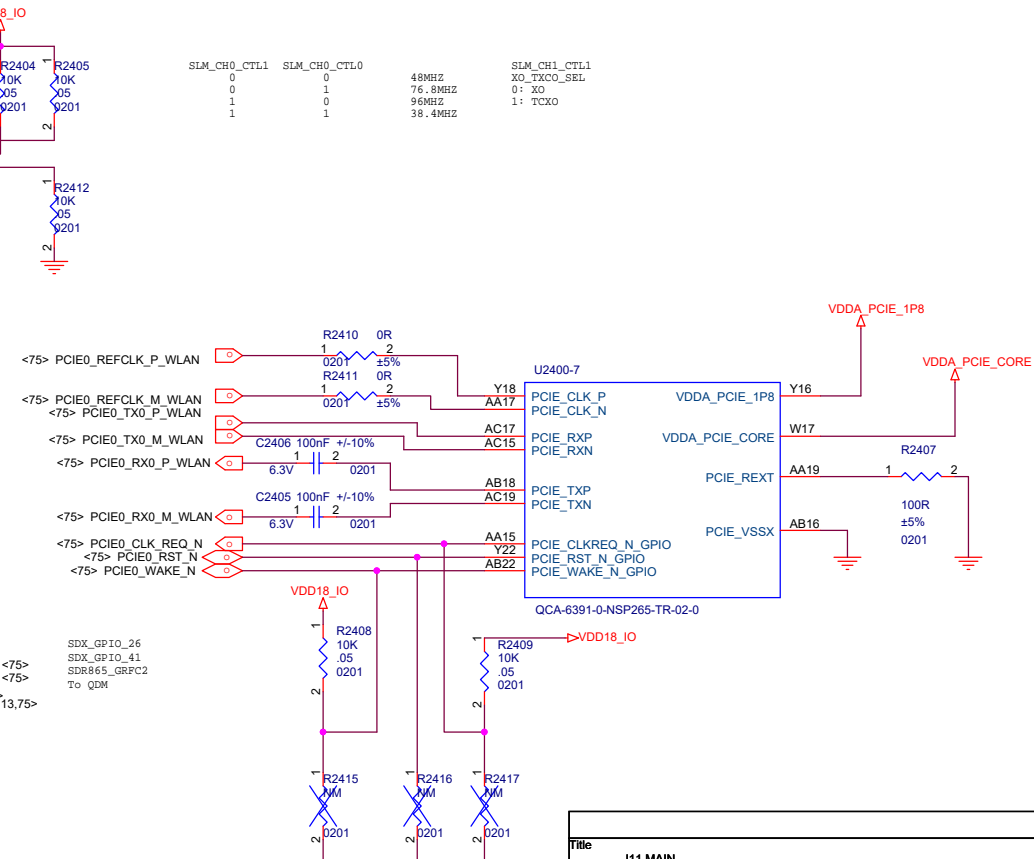
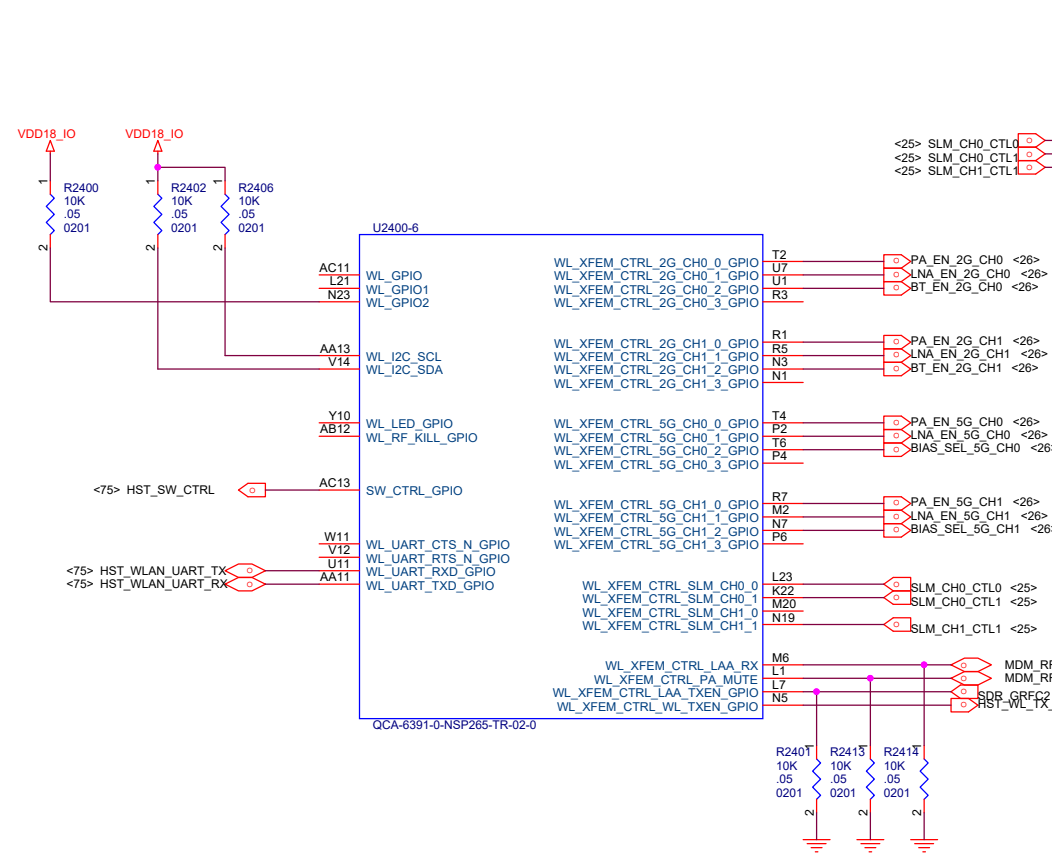
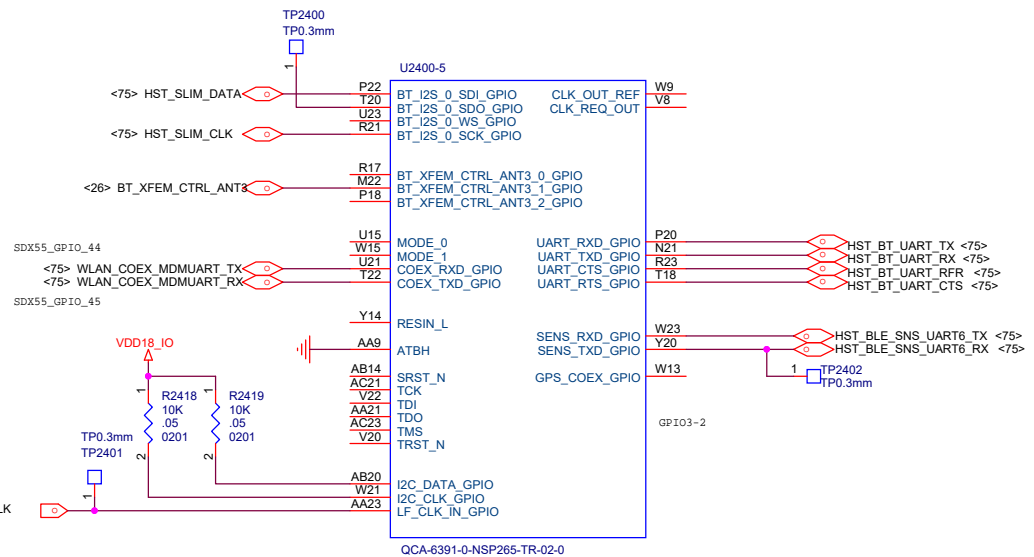
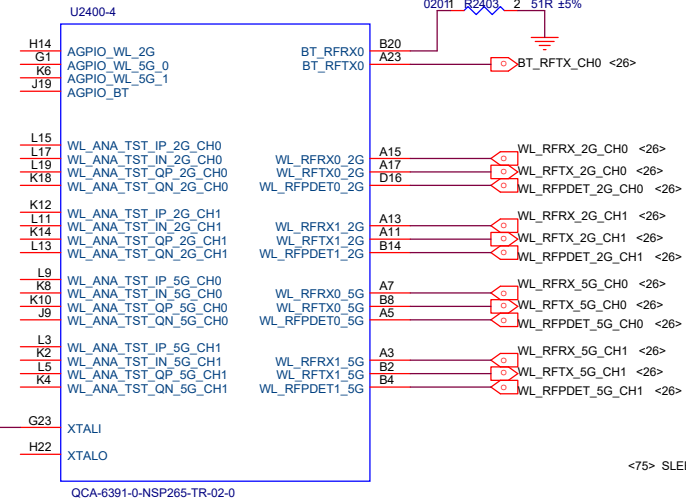
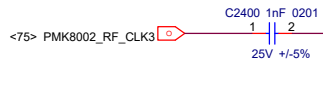
Title		
J11 MAIN		
Size	Document Number	Rev
A3	GPS	P0
Date:	Friday, December 27, 2019	Sheet



# 放U2400旁边

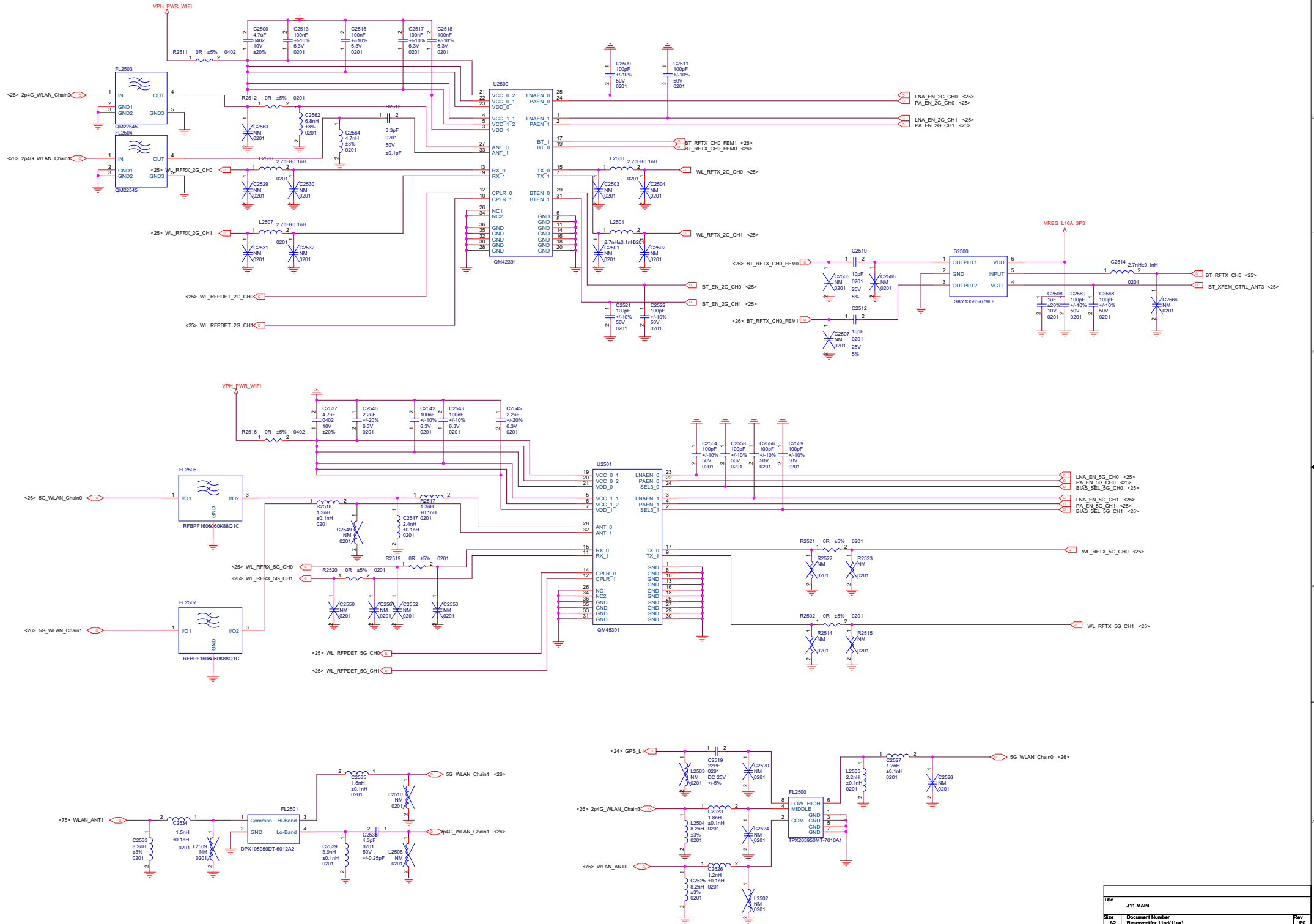


Overlap one pad of R2401 and C2403  
Overlap one pad of R2409 and C2404  
Overlap one pad of C2403 and C2404

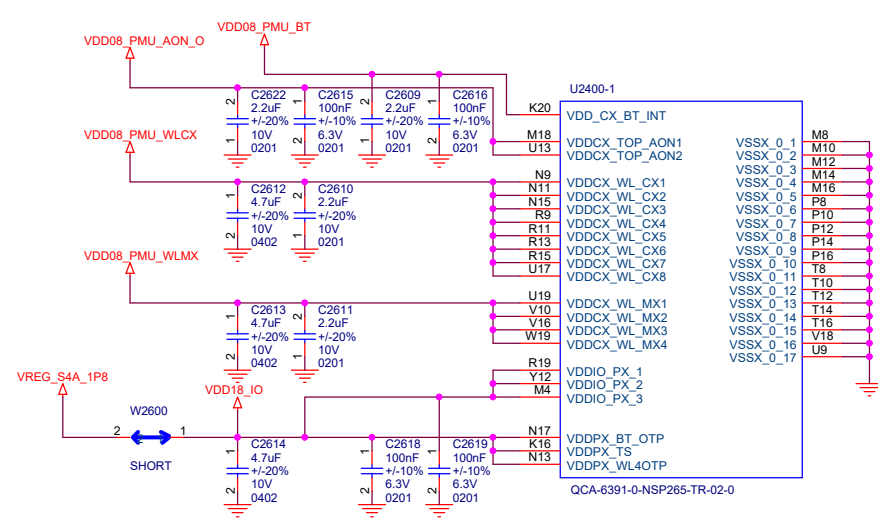
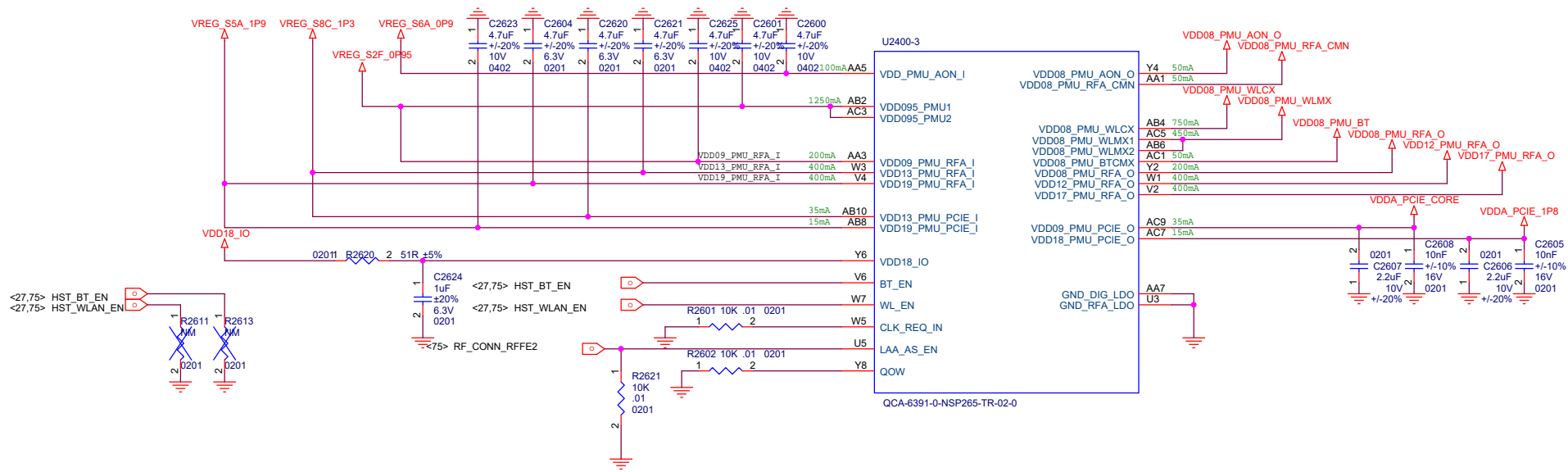


SLM_CH0_CTL1	SLM_CH0_CTL0	48MHZ	XO_TXCO_SEL
0	0	1	0: XO
0	1	0	1: TCXO
1	0	1	0: XO
1	1	0	1: TCXO

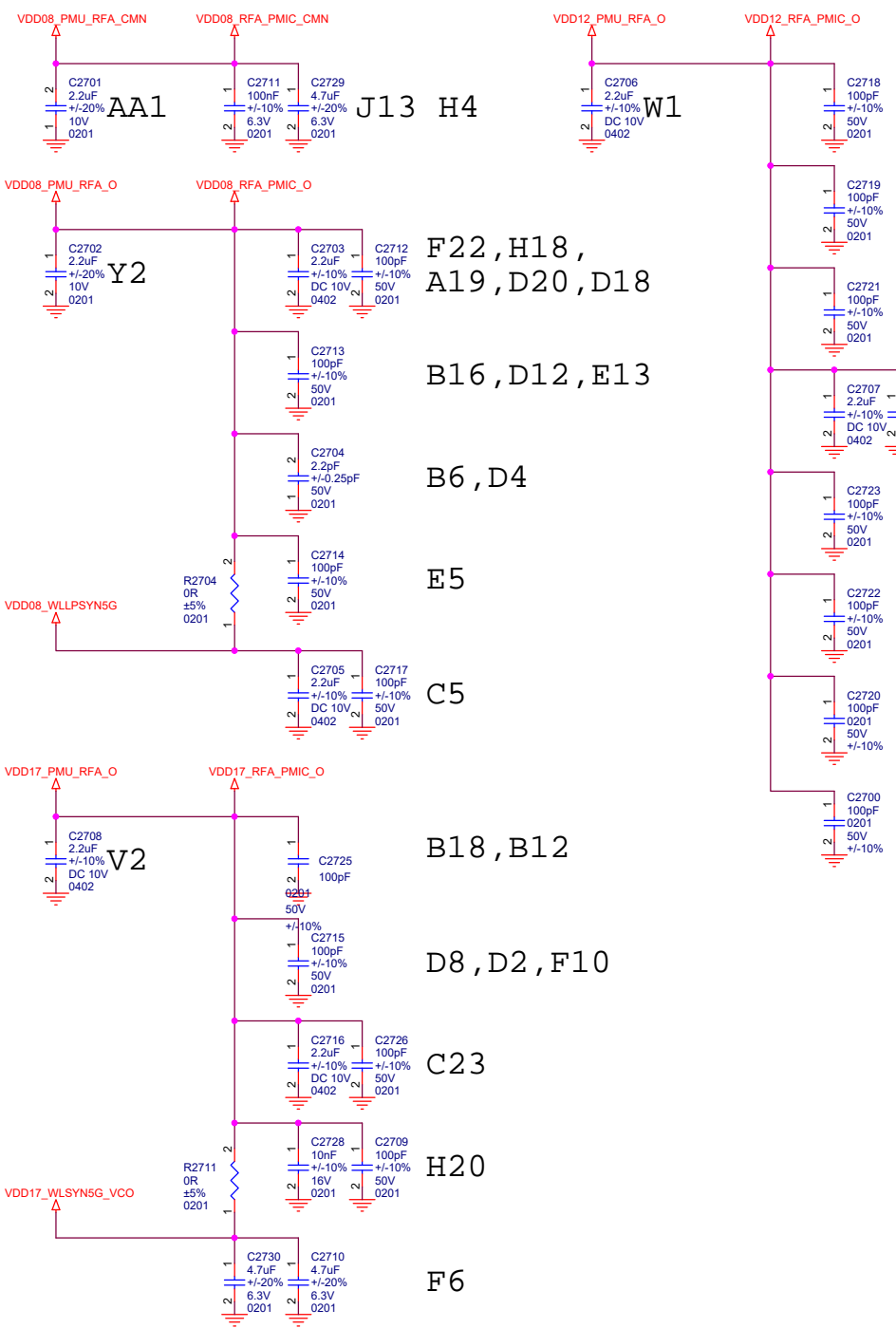
Title		J11 MAIN
Size	Document Number	Rev
A3	WIFI Interface	P0
Date:	Friday, December 27, 2019	Sheet 25 of 74



File			J11 MAIN
Size	Document Number	Document Number	Rev
A2		Reserved (for 11 and 11ac)	P0
Date:	Friday, December 27, 2019	Sheet	



Title			J11 MAIN
Size	Document Number		Rev
A3	WIFI Decoupling		P0
Date:	Friday, December 27, 2019	Sheet	27 of 74



J11, H16,  
H12

H8, H2

F16, F12, E15

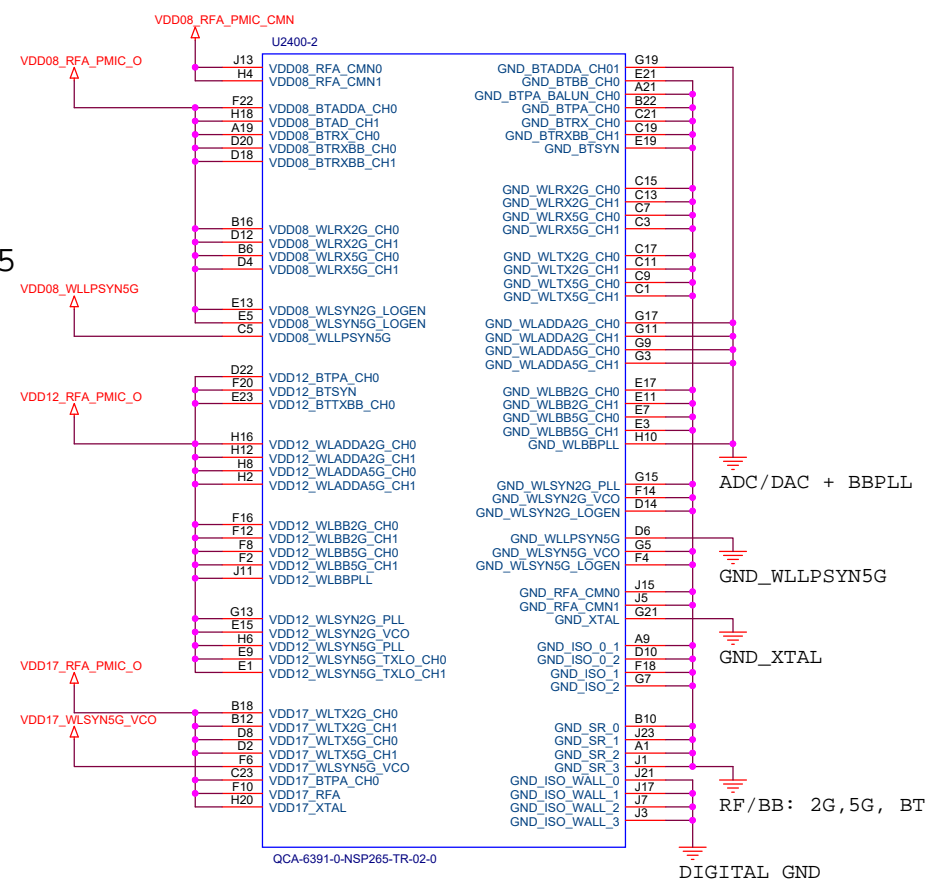
F8, F2,  
E9, E1, H6

D22

F20

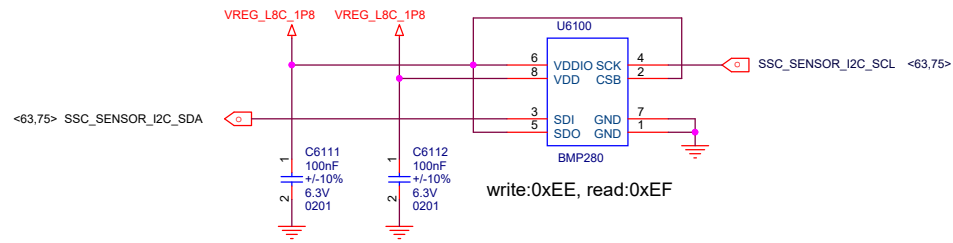
E23

G13



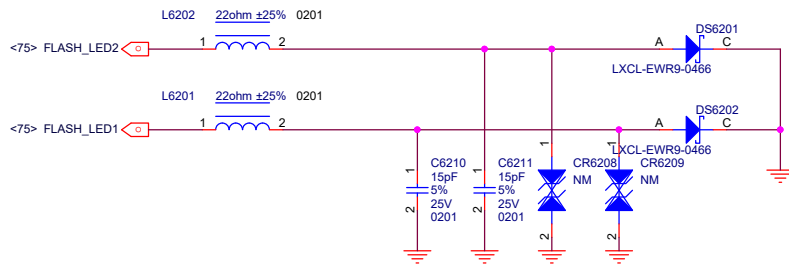
Title			F1 MAIN
Size	Document Number	Reserved (for 11ad/11ax)	
A3			Rev P0
Date:	Friday, December 27, 2019	Sheet	28 of 74

# PRESSURE

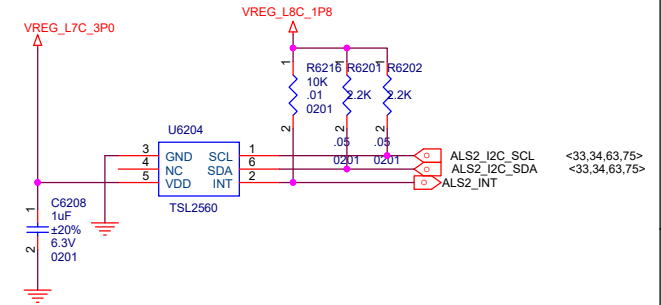


# FLICKER

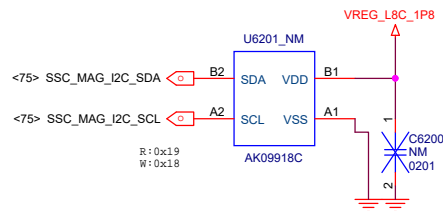
# FLASH



# ALS



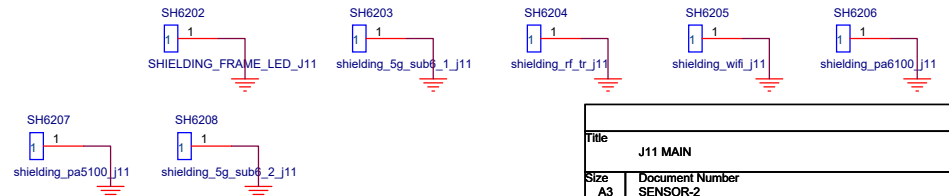
# COMPASS



# GND Testpoint

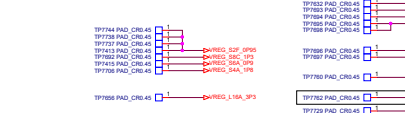
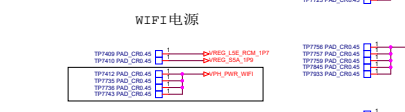
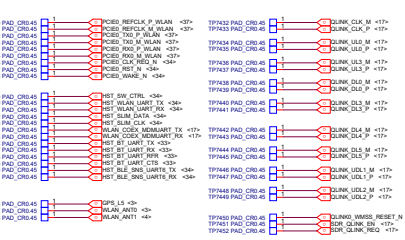


# Shielding

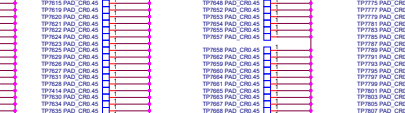
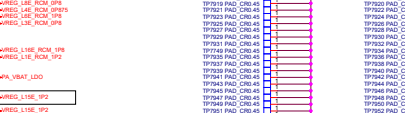
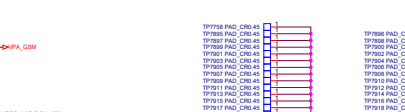
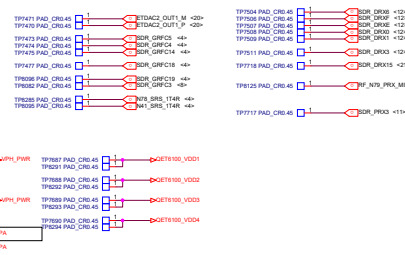
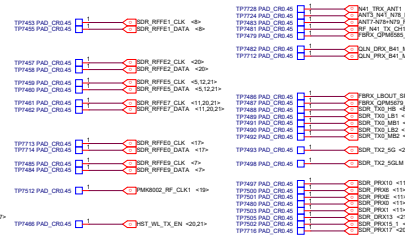


Title		
J11 MAIN		
Size	Document Number	Rev
A3	SENSOR-2	P0
Date:	Friday, December 27, 2019	Sheet 63 of 74

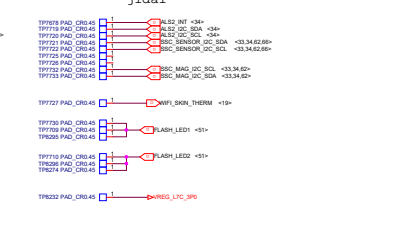
WIFI1



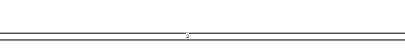
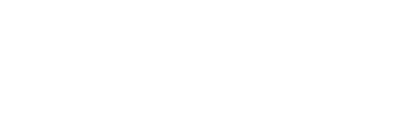
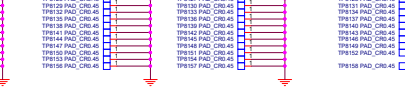
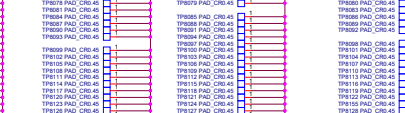
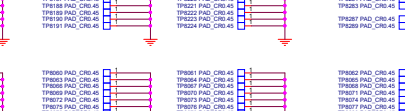
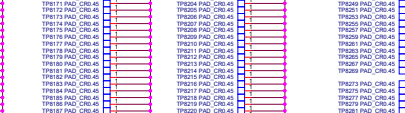
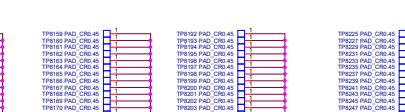
RP



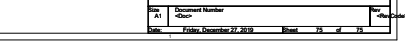
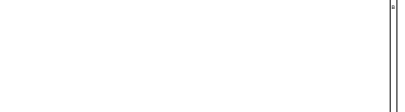
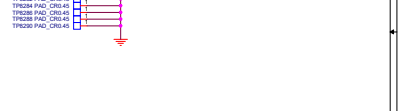
RP电源



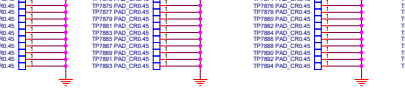
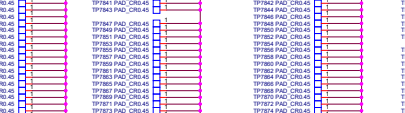
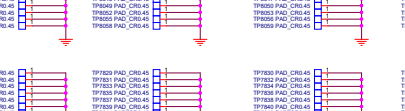
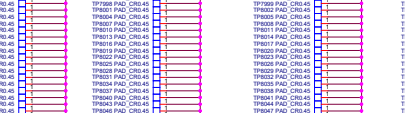
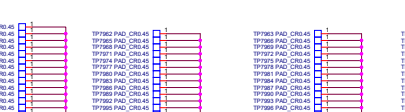
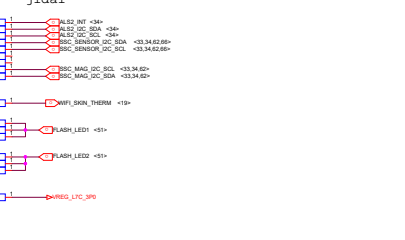
WIFI1电源



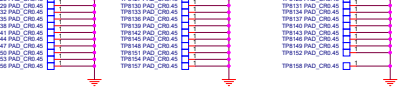
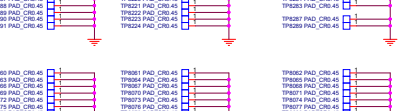
RP



jidai



RP电源



WIFI1电源

